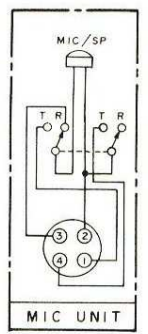
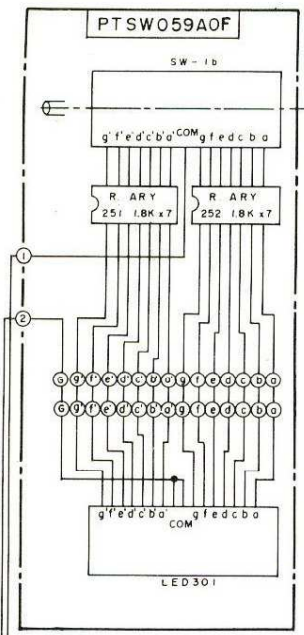
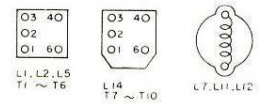


NOTE
Δ VOLTS AT TRANSMIT CONDITION
ALL VOLTAGES MEASURED FROM PC BOARD
GND WITH DC VTVM AT NO SIGNAL
(AT 15 V POWER SUPPLY) IF MEASUREMENT
VALUES OBTAINED ARE IN
EXCESS OF ±20% OF VALUES SHOWN
THEN REASON FOR DIFFERENCE SHOULD
BE CORRECTED
* VARIABLE



TRANSFORMER TERMINATION INFORMATION
(BOTTOM VIEW)



TRANSISTOR BASE INFORMATION E EMITTER C COLLECTOR B BASE

